

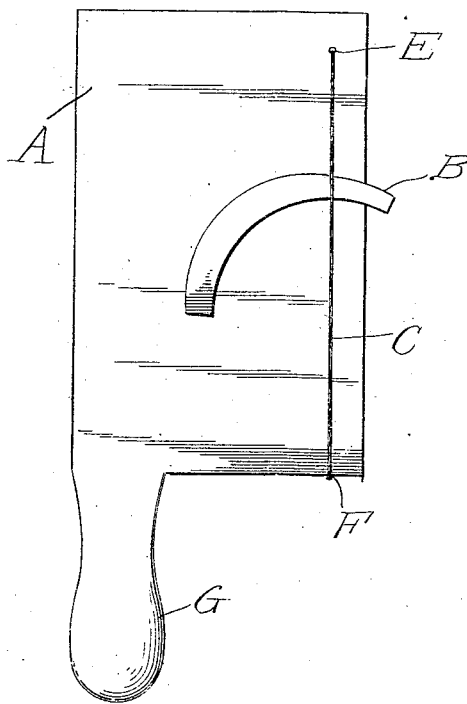
No. 849,168.

PATENTED APR. 2, 1907.

G. E. SMITH & D. E. BRINSMADÉ.

BOOMERANG THROWER.

APPLICATION FILED DEC. 4, 1905.



Witnesses

*W. Simpson*  
J. C. Jones

*G. E. Smith* <sup>Inventor</sup>  
*D. E. Brinsmade*

By

*Charles Chandler*

Attorneys

# UNITED STATES PATENT OFFICE.

GEORGE E. SMITH AND DANIEL E. BRINSMADÉ, OF DERBY, CONNECTICUT.

## BOOMERANG-THROWER.

No. 849,168.

Specification of Letters Patent.

Patented April 2, 1907.

Application filed December 4, 1905. Serial No. 290,324.

*To all whom it may concern:*

Be it known that we, GEORGE E. SMITH and DANIEL E. BRINSMADÉ, citizens of the United States, residing at Derby, in the county of New Haven, State of Connecticut, have invented certain new and useful Improvements in Boomerang-Throwers; and we do hereby declare the following to be a full, clear, and exact description of the invention, such as will enable others skilled in the art to which it appertains to make and use the same.

This invention has relation to the art of boomerang-throwing.

It is the object of the invention to produce a toy in the form of a boomerang and boomerang-gun, whereby boomerang-throwing on a small scale may be practiced in the house as a child's toy, that will show the real principles of the art.

The invention consists of a miniature or small boomerang made from material and in a form that will be assuredly harmless in child's play in combination with a so-called "gun," employing a rubber band as the propelling force, that may be "set" and "fired," throwing the boomerang in true fashion, so that it will "go" five or ten feet from the operator and return again to the point of starting.

Reference is to be had to the annexed drawing, in which there is shown a plan view of the invention complete, showing the rubber band of the gun set.

In the drawing, A designates a piece of material with a flat surface suitable for holding or supporting the boomerang B and for having the two ends of a rubber band C caught thereon and held in stretched position.

In the present case the boomerang B will be made in the form of devices of that character, so that when it is thrown or fired it will perform the functions of a boomerang—that is, go to an appreciable distance and return again to the point or substantially the place from which it started. It may be supported in place on the gun by simply laying it thereon, or any kind of projections suit-

able for the purpose may be made for keeping it in place in case the gun is moved out of level position. Its place will be such that the smaller end may just project over the edge of the gun.

The rubber band C will be secured at a proper point on the gun, as at E, so that it may be stretched beyond the place for the boomerang and caught over the rear edge F, as shown. When it is desired to fire the gun, the band will be slipped off from the rear edge F, when it will fly forward along the adjacent side, striking the projecting point of the boomerang, throwing it forward five or ten feet, when it will return again to the place from which it started.

As the rubber band will be fastened at one end, it will not become lost, and the game may be played with much amusement for a long time and without any expense beyond the cost of the toy itself.

The gun may be made of pasteboard, celluloid, or other suitable material and be as ornamental as desired. It is proposed to provide it with a handle G, which may be a plain extension or be ornamented in any way desired.

By the toy much amusement without possible harm is provided for children, while they will at the same time be taught the principles of boomerang throwing and flight.

What is claimed is—

A boomerang-gun consisting of a piece of suitable material having a flat top to support the boomerang, and a band of elastic material secured at one end to the flat top forward of the position for the boomerang and adapted to have its bight caught over the rear edge of the gun and to be slipped off at, and to fly forward along, the adjacent side edge of the gun.

In testimony whereof we affix our signatures in presence of two witnesses.

GEORGE E. SMITH.  
DANIEL E. BRINSMADÉ.

Witnesses:

FREDERICK W. COTTER,  
ALFRED C. BALDWIN.